



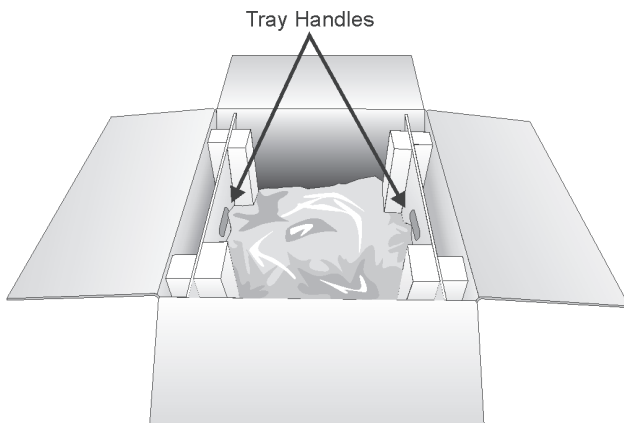
kaleidescape™

Speed Reader Quick Install Guide

For complete information, download the **Speed Reader User Guide** available at www.kaleidescape.com/support/doc.html.

Unpack the Speed Reader

1. Using the tray handles, lift out the tray and Speed Reader.



Do not lift the Speed Reader by the robot arm or rotating column.

2. Fold the sides of the tray down to remove the Speed Reader from the tray.

Do not bump or press against the bin rods or spindles.

To prevent damage to the Speed Reader, always use the original packaging to ship or transport the Reader.

Connect to the Network

1. Connect an Ethernet cable (CAT5 or better) to the Network port of the Speed Reader.
2. Connect the other end of the Ethernet cable to a network switch on the same subnet as the Kaleidescape System.

Connect Power

Before powering the Speed Reader, make sure nothing will interfere with the movement of the robotic arm.

1. Set the input voltage switch according to the voltage supplied by your power source.

Applying power with the wrong input voltage setting can cause permanent damage to the Speed Reader or prevent it from operating correctly!

2. Connect the power cord to the Speed Reader and to an Uninterruptible Power Supply (UPS) or surge protector.

Verify that your System is running KEAOS 3.4 or later from the Installer Web Utility home page before powering the Reader.

3. Turn the power switch on. The Speed Reader takes a few seconds to finish booting.
4. Check the green Power LED on the front of the Reader.
 - If the Power LED is not illuminated, check your power source.
 - If the red Error LED is illuminated, the Speed Reader failed to boot. Turn the power switch off and on again.

Group the Speed Reader

If you have more than one Server on the same subnet as the Speed Reader, you must group the Speed Reader with the target Server or group of Servers.

In a multi-Server System, all imports will fail if the Speed Reader is not grouped with a Server.

1. Open a Web browser and enter one of the following addresses:

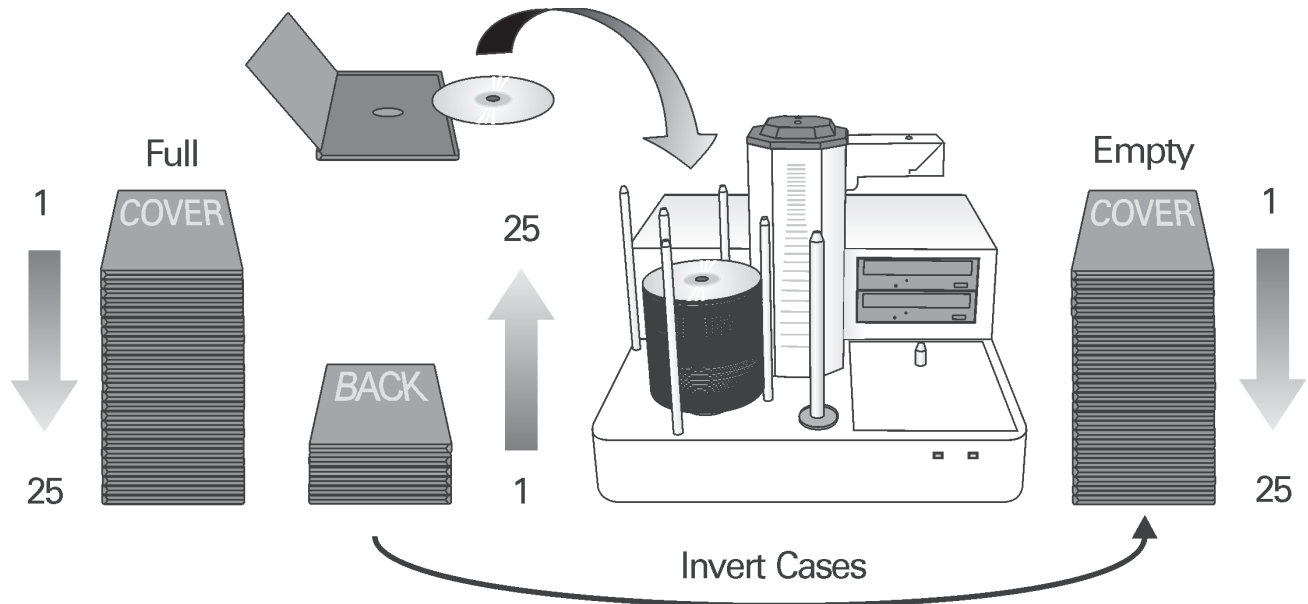
`http://my-kaleidescape/installer` (Windows) or
`http://my-kaleidescape.local/installer` (Mac OS X).

The Installer Web Utility's home page appears.
2. Click the **GROUPS** tab.
3. To add the Speed Reader to a group, pick the group you want it in from the drop-down menu to the right.

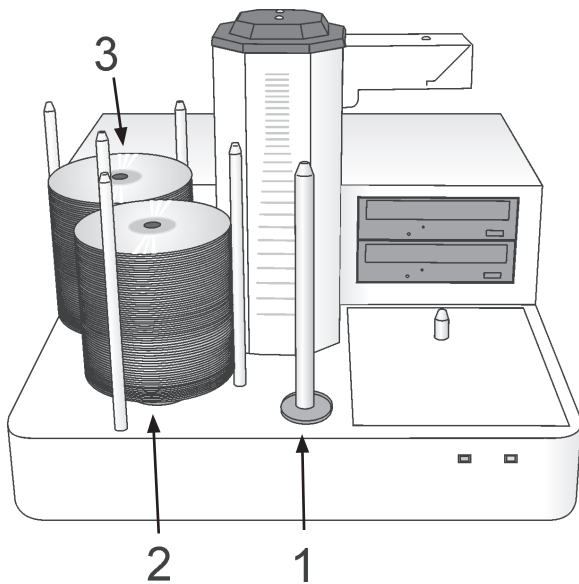
Load Discs

1. Divide the collection into groups of 25 cases and arrange them in stacks to the left of the Speed Reader.
2. Begin loading bin 2, placing each disc shiny-side down (or side to be imported). Each bin holds 125 discs.

Do not load the bin higher than 1/2" from the top.



- As you load the discs in bin 2, stack the empty cases, cover side down in piles of approximately 25 cases each.



- When you finish with a stack of cases, invert the stack cover side up, and place it to the right of the Speed Reader. Arrange the stacks so that the last stack you handle is furthest from the Speed Reader.
- Load bin 3 and stack cases in the same manner.

Start the Import Session

Imports are managed through the Installer Web Utility. On the **COMPONENTS** tab, you can access the **MANAGE SPEED READER** page. From the Manage Speed Reader page you can start and stop imports and view the Disc Import Details from the latest import session.

- Click the **COMPONENTS** tab.
- Locate the Speed Reader pane on the list of System components.
- Click **Settings** to check that the Speed Reader is properly configured.
- Click **Manage Speed Reader** in the Speed Reader's **COMPONENT** pane.



- To begin importing, click **Start Imports**.

Keep clear of the robotic arm at all times when the Speed Reader is in operation.

Do not add or remove discs from the Speed Reader after you have started importing.

Do not manually eject discs from the disc drives unless instructed to do so by Kaleidescape Support.

Use the Disc Import Details to return the discs to their cases or set them aside for additional handling.

For complete information, download the Speed Reader User Guide available at www.kaleidescape.com/support/doc.html.